

## Brackish Water RO Elements

### TMG (8" C-Style)

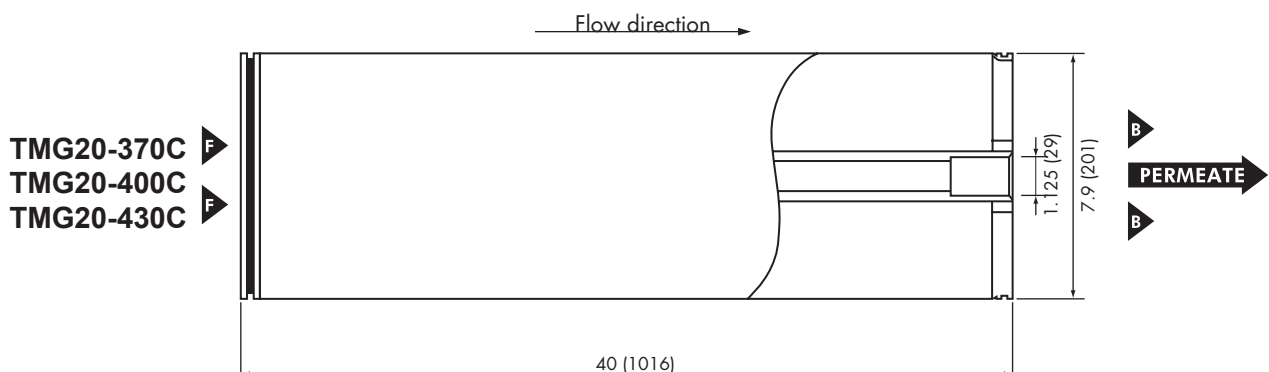
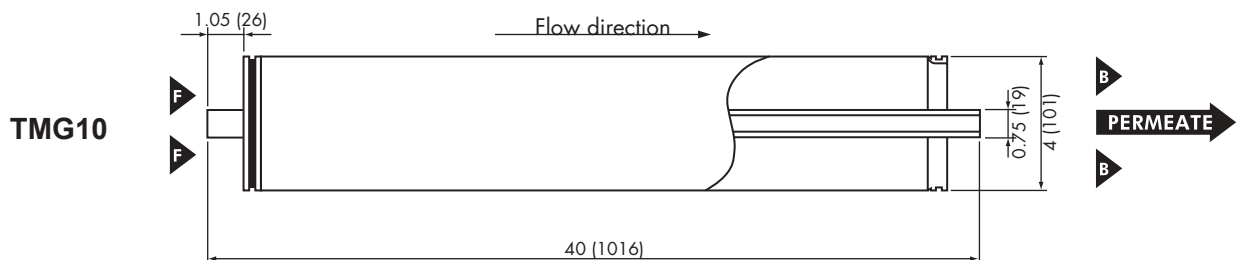
Type	Diameter inch	Membrane Area ft <sup>2</sup> (m <sup>2</sup> )	Salt Rejection %	Product Flow Rate gpd (m <sup>3</sup> /d)
TMG10	4"	87 (8)	99.5	2,400 (9.1)
TMG20-370C	8"	370 (34)	99.5	9,500 (36.0)
TMG20-400C	8"	400 (37)	99.5	10,200 (38.6)
TMG20-430C	8"	430 (40)	99.5	11,000 (41.6)

<b>1. Membrane Type</b>		Cross Linked Fully Aromatic Polyamide Composite
<b>2. Test Conditions</b>	Feed Water Pressure Feed Water Temperature Feed Water Concentration Recovery Rate Feed Water pH	110psi (0.76 MPa) 77 °F (25 °C) 500mg/l NaCl 15 % 7
<b>3. Minimum Salt Rejection</b>		99.0 %
<b>4. Minimum Product Flow Rate</b>		2,000 gpd ( 7.6 m <sup>3</sup> /d) (TMG10) 7,500 gpd ( 28.4m <sup>3</sup> /d) (TMG20-370) 8,200 gpd ( 31.0m <sup>3</sup> /d) (TMG20-400) 8,800 gpd ( 33.3m <sup>3</sup> /d) (TMG20-430)

### Dimensions

All dimensions shown in inches (millimeter).

▶ Feed Water  
▶ Concentrated Brine



## Operating Limits

Maximum Operating Pressure	365 psi (2.5MPa)
Maximum Feed Water Temperature	113 °F (45 °C)
Maximum Feed Water SDI15	5
Feed Water Chlorine Concentration	Not Detectable
Feed Water pH Range, Continuous Operation	2-11
Feed Water pH Range, Chemical Cleaning	1-12
Maximum Pressure Drop per Element	20 psi (0.14 MPa)
Maximum Pressure Drop per Vessel	60 psi (0.4 MPa)

## Operating Information

1. For the recommended design range, please consult the latest Toray technical bulletin, design guide lines, computer design program, and/or call an application specialist. If the operating limits given in this Product Information Bulletin are not strictly followed, the Limited Warranty will be null and void.
2. All elements are wet tested, treated with a 1% by weight percent sodium bisulfite storage solution, and then vacuum packed in oxygen barrier bags. To prevent biological growth during short term storage, shipment, or system shutdown, it is recommended that Toray elements be immersed in a protective solution containing 500 - 1,000 ppm of sodium bisulfite (food grade) dissolved in permeate.
3. Permeate from the first hour of operation shall be discarded.
4. The customer is fully responsible for the effects of chemicals that are incompatible with the elements. Their use will void the element Limited Warranty.

## Notice

1. Toray accepts no responsibility for results obtained by the application of this information or the safety or suitability of Toray's products, either alone or in combination with other products. Users are advised to make their own tests to determine the safety and suitability of each product combination for their own purposes.
2. All data may change without prior notice, due to technical modifications or production changes.